

**ALUMERO**

AS 2.1  
**ROOF HOOKS**

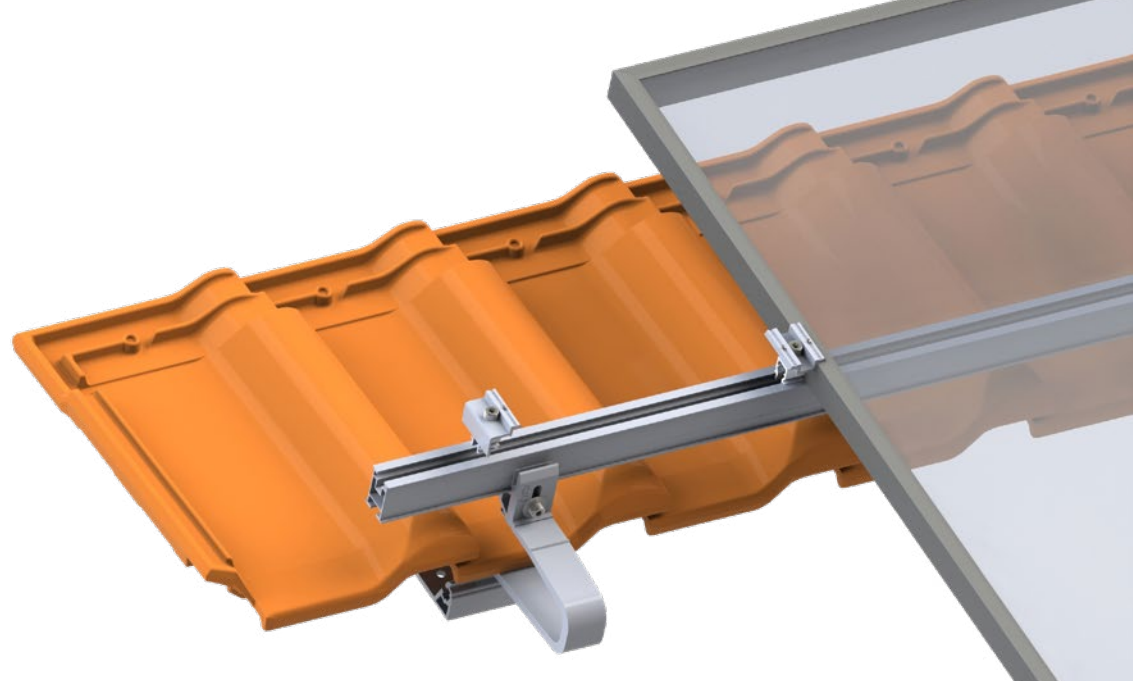
EN

**DATA SHEET**

# ROOF HOOKS AS 2.1

## The big 'Plus'

- + A variety of roof hooks for tiled, slate and beaver tail tiled roofs
- + Quickly and easily mounted due to pre-assembled components
- + Adjustable aluminium roof hooks
- + Pre-assembled quick mounting adapters for truss profiles: 37, 45 and 65
- + Stronger version due to harder aluminium alloy
- + Truss profiles can be mounted in parallel lines or in a lattice arrangement
- + Lightweight system for heavy duty deployment



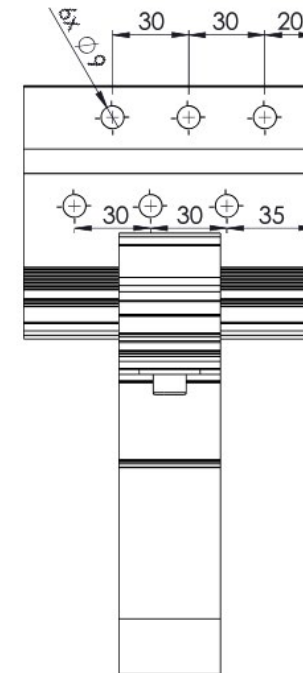
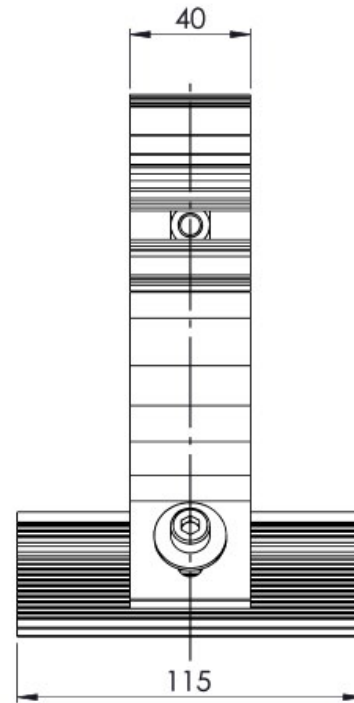
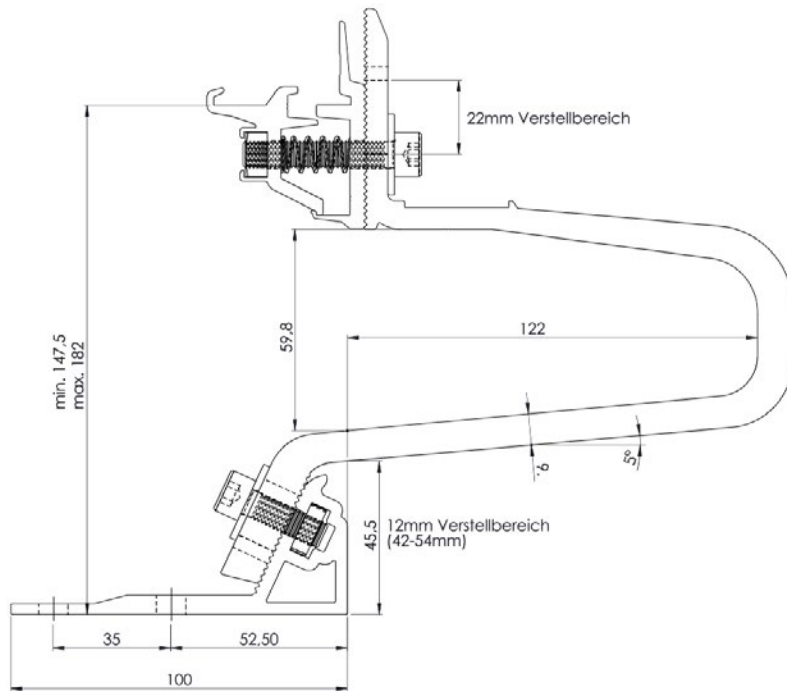
## Technical details

<b>Use:</b>	Clay tile, slate tile, beaver tail tiled roofs, Schiefer-, Biberschwanddächer
<b>Roof gradients:</b>	10°-60°
<b>Attachment method:</b>	Flat-head screws
<b>Mounting:</b>	Parallel to roof
<b>Distance to roof edge:</b>	Roof areas F and G can be used in compliance with EN 1991-1-4
<b>Module direction:</b>	Vertical and horizontal
<b>Module dimensions:</b>	Length and width as required
<b>Maximum module field size:</b>	12 metres along the rail
<b>Maximum wind/snow load:</b>	Calculated according to project specifics using Alumero.Pro.Tool online software
<b>Maximum building height:</b>	25m (higher on request)
<b>Specific roof conditions:</b>	The structural load-bearing capacities of roof structures and building frames must be officially certified
<b>Materials:</b>	Load-bearing components made of aluminium EN AW 6005 T6; EN AW 7020 T6; EN AW 6063 T66 and stainless steel 1.4301; Small items made of A2-70 stainless steel



# Technical drawings

Roof hooks AL13



# ALUMERO.PRO.TOOL

## 8-step project plan

**1** Master data

**2** Roof data

**3** Roof specifics

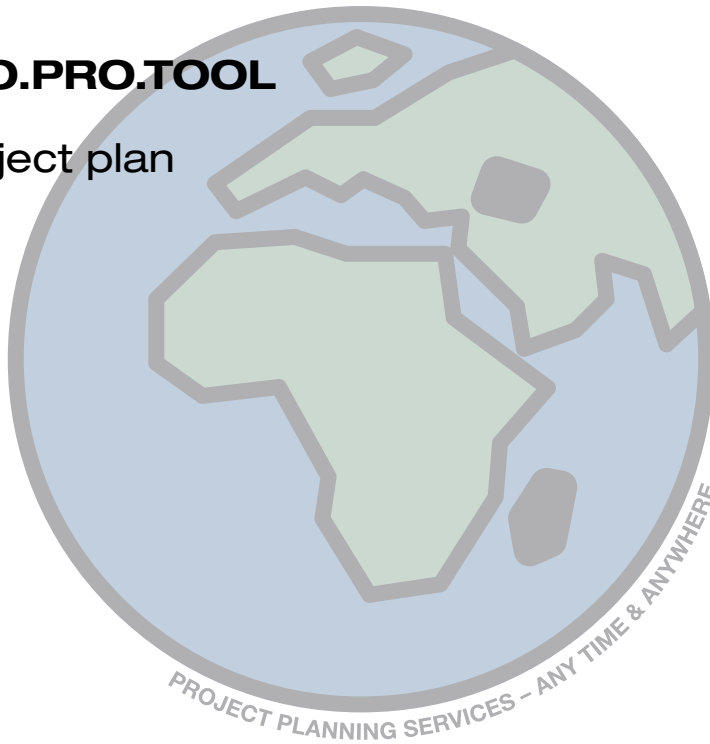
**4** PV modules

**5** Construction design

**6** CAD plan

**7** Statics

**8** Materials list



We give customers the opportunity to generate technical, project-related system set-ups, including statics calculations and project reports using the Alumero.Pro.Tool online software.



## System components

Additional articles can be found in our product catalogue or on the website: [www.alumerogroup.eu](http://www.alumerogroup.eu)



**Roof hook AL 13 / ALS 13**  
Product number:  
80241x



**Roof hook AL 13 X**  
Product number:  
802414



**Roof hook 40x10 for quick installation**  
Product number:  
802406



**Truss profile**  
Product number:  
80210x



**Profile connector**  
Product number:  
80215x



**Flat-head screw**  
Product number:  
8006x



**Cross connector 2.1**  
Product number:  
802200



**Beaver tail roof hook for rapid installation**  
Product number:  
802425



**Slate tile roof hook for rapid installation**  
Product number:  
802423

**makes us stronger.**