

**ALUMERO**

2.1 TPF

# **STANDING SEAM CLAMPS**

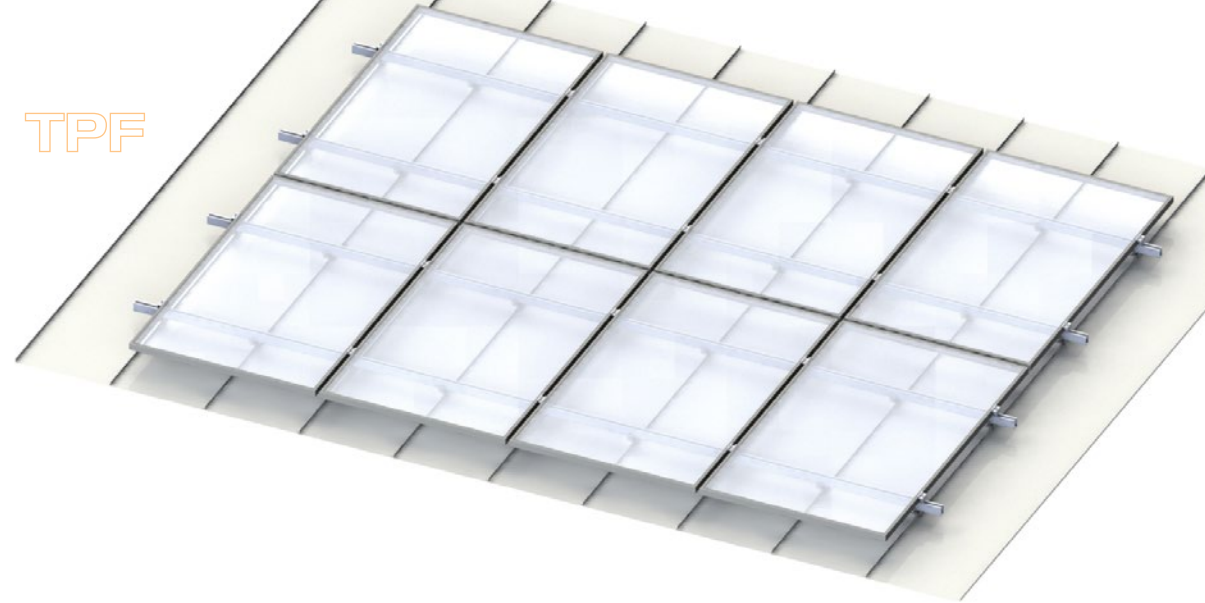
EN

**DATA SHEET**

# STANDING SEAM CLAMPS 2.1 TPF

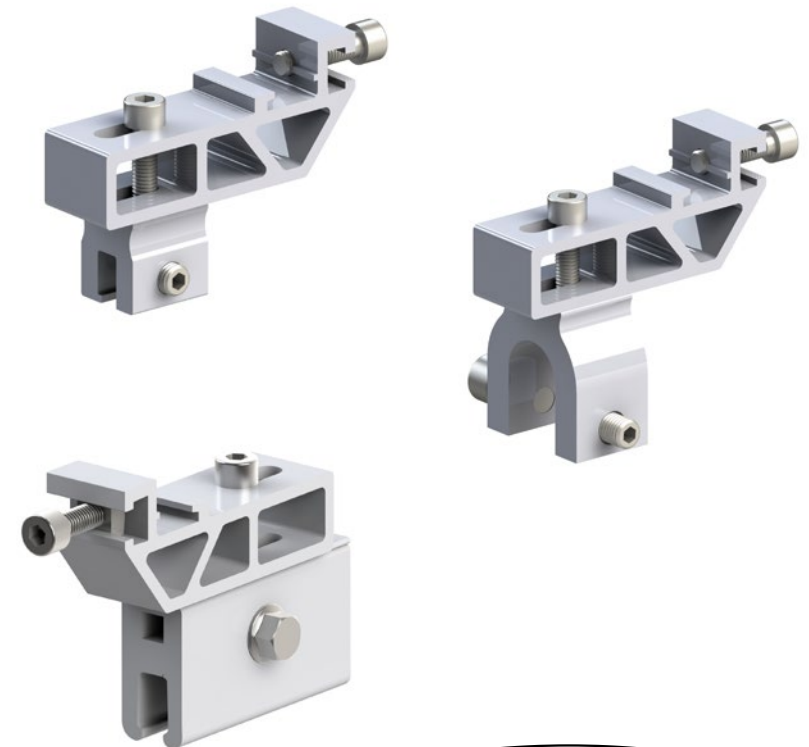
## The big 'Plus'

- + Clamps for all kinds of sheet metal folds: Double-lock and single-lock seams, round seams, Domico, Rib-Roof 465, Klip-Lok
- + Simple truss profile mounting with pre-installed quick-mount adapters
- + Non-penetrative attachment via fixing bolts
- + Tested and statically-approved standing seam clamps
- + Horizontal and vertical module mounting



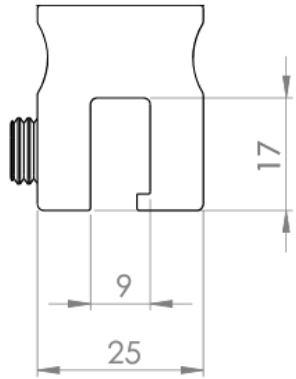
## Technical details

<b>Use:</b>	Standing seam roofs, profile roofs
<b>Roof gradients:</b>	7° - 60°
<b>Attachment method:</b>	Fixing screws
<b>Mounting:</b>	Parallel along the roof
<b>Distance to roof edge:</b>	Roof areas F and G can be used in compliance with EN 1991-1-4
<b>Module direction:</b>	Vertical and horizontal
<b>Module dimensions:</b>	Length and width as required
<b>Maximum module field size:</b>	Approx. 3m along the rail (depending on type of seam, max. rail length on request)
<b>Maximum wind/snow load:</b>	Calculated according to project specifics using Alumero.Pro.Tool online software
<b>Maximum building height:</b>	25m (higher on request)
<b>Specific roof conditions:</b>	The structural load-bearing capacities of roof structures and building frames must be officially certified
<b>Materials:</b>	Load-bearing components made of aluminium EN AW 6063 T66 Small items made of stainless steel A2-70; EPDM

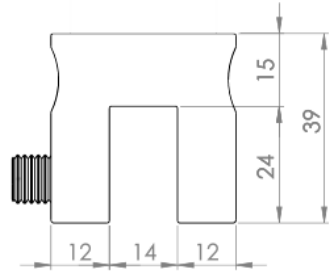


# Technical drawings

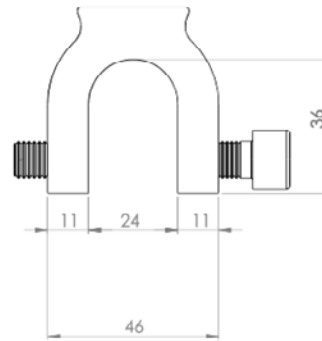
Double standing seam clamp 2.1 TPF



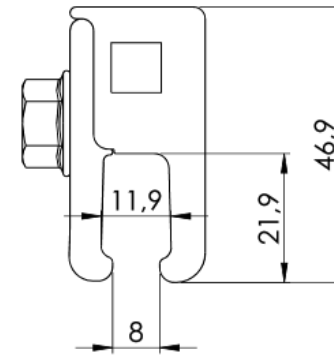
Single standing seam clamp 2.1 TPF



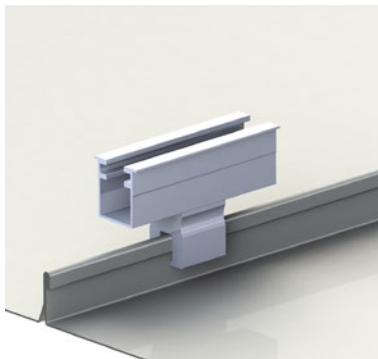
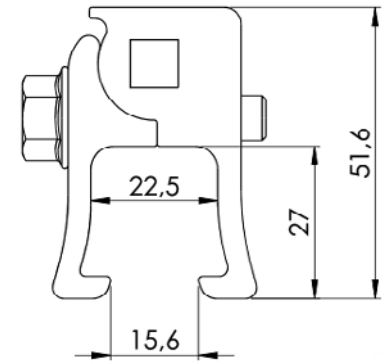
Round seam clamp 2.1 TPF



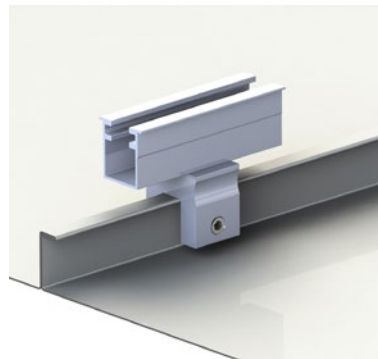
Folded seam clamp 2.1 RD-80 TPF



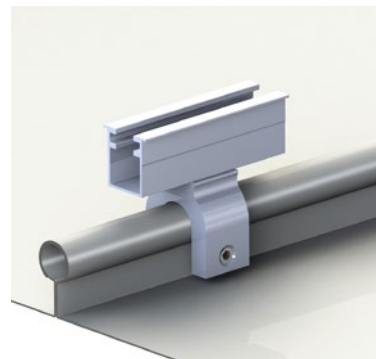
Folded seam clamp 2.1 K15 TPF



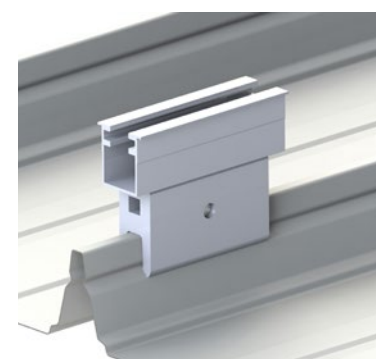
Double-lock seam



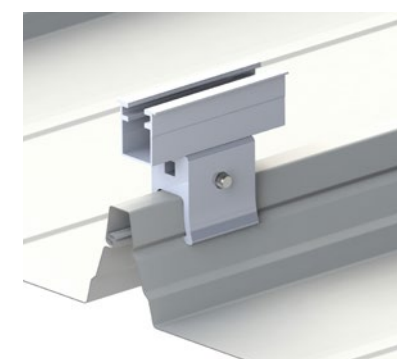
Single-lock seam



Rounded seam



Domico GBS, Rib-Roof 465



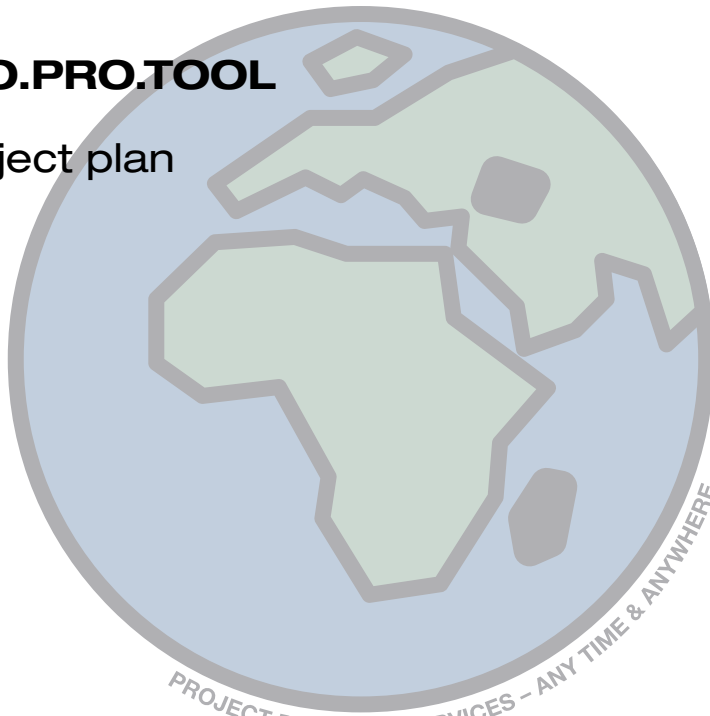
Domitec



# ALUMERO.PRO.TOOL

## 8-step project plan

- 1 Master data
- 2 Roof data
- 3 Roof specifics
- 4 PV modules
- 5 Construction design
- 6 CAD plan
- 7 Statics
- 8 Materials list



We give customers the opportunity to generate technical, project-related system set-ups, including statics calculations and project reports using the **Alumero.Pro.Tool** online software.



## System components

Additional articles can be found in our product catalogue or on the website: [www.alumerogroup.eu](http://www.alumerogroup.eu)



### Double standing seam clamp

**2.1 TPF**

Product number:  
802466  
(Double-lock seam roof)



### Single standing seam clamp

**2.1 TPF**

Product number:  
802462  
(Single-lock seam roof)



### Round seam clamp

**2.1 TPF**

Product number: 802460  
(Round seam profile roof)



### Standing seam clamp

**2.1 RD-80 TPF**

Product number:  
802469  
(Domico GBS, Zambelli 465)



### Standing seam clamp

**2.1 K 15 TPF**

Product number:  
802471  
(Domitec profile roof)



### Truss profile

Product number:  
80210x



### Profile connector

Product number:  
80215x



### Cross connector 2.1

Product number:  
802200

**makes us stronger.**